

# NH fuse-links gG 690VAC

top indicator/live gripping-lugs size 4 and 4a

## LOW VOLTAGE IEC FUSES

### IEC NH FUSE-LINKS



The NH system is classified among plug-in fuse systems and is composed of:

- fuse-base (possibly including terminal covers and phase barriers)
- fuse-link with blade contact
- fuse-link replacement device (LV HRC fuse puller)

Since the design of this system cannot guarantee non-interchangeability of rated current it must be handled by a qualified professional.

Type «gG» NH fuse-links are full range breaking capacity fuse-links and are used to protect cables and equipment. They can interrupt any current surge, from the lowest fusing current up to their breaking capacity, and so can be used alone as protection. They also protect electrical devices and industrial set-ups from the electrodynamic effects of very high short-circuit currents.

## ОБЩИЕ ТЕХНИЧЕСКИЕ ХАРАКТЕРИСТИКИ

Переменное напряжение тока	690 VAC
Voltage DC	250 VDC
Диапазон по току (A)	400 ... 1000 A
Size per Standard	4, 4a
Скорость/ Характеристика	gG
Ток отключения	120 kA
I.R. DC (IEC)	70 kA
Материал корпуса	ceramic
Материал контактов	copper, silver-plated

## ОСОБЕННОСТИ И ПРЕИМУЩЕСТВА

- Dimensions in accordance with DIN 43 620
- Live tags
- Top indicator
- Lead free contact blades
- 0% cadmium

## ПРИЛОЖЕНИЯ

- gG: General purpose (protection of cables and LV-networks)

## СТАНДАРТЫ

- IEC/EN 60269-1 and -2
- VDE 0636 Part 201



# NH fuse-links gG 690VAC

top indicator/live gripping-lugs size 4 and 4a

## НОМЕНКЛАТУРА

### Size 4 gG 690VAC top indicator

Номер по каталогу	Item number	Номинальное напряжение переменного тока (IEC)	Rated voltage DC (IEC)	Номинальный ток	Рассеиваемая мощность при номинальном токе	Width	Количество в упаковке	Вес
NH4GG69V400-8	N214004	690 V	250 kV	400 A	32 W	100 mm	1	2,1 kg
NH4GG69V500-8	Y215025	690 V	250 V	500 A	40 W	100 mm	1	2,1 kg
NH4GG69V630-8	E215537	690 V	250 V	630 A	53 W	100 mm	1	2,1 kg
NH4GG69V800-8	K216554	690 V	250 V	800 A	68 W	100 mm	1	2,1 kg



NH4AGG69V1000-8

### Size 4a gG 690VAC top indicator

Номер по каталогу	Item number	Номинальное напряжение переменного тока (IEC)	Rated voltage DC (IEC)	Номинальный ток	Рассеиваемая мощность при номинальном токе	Width	Количество в упаковке	Вес
NH4AGG69V630-8	T1034511	690 V	250 V	630 A	47 W	98 mm	1	2,58 kg
NH4AGG69V800-8	V1034512	690 V	250 V	800 A	67 W	98 mm	1	2,58 kg
NH4AGG69V1000-8	W1034513	690 V	250 V	1000 A	73 W	98 mm	1	2,58 kg

## ТЕХНИЧЕСКИЕ ХАРАКТЕРИСТИКИ

	size 4	size 4a
Size	4	4a
Rated current	400 ... 800 A	500 ... 1000 A
Rated breaking capacity AC	120 kA	120 kA
Rated voltage AC	690 V	690 V
Rated voltage DC	250 V	250 V
Indication System	top indicator	top indicator
Width	100 mm	100 mm

MERSEN reserves the right to change, update or correct, without notice, any information contained in this datasheet.

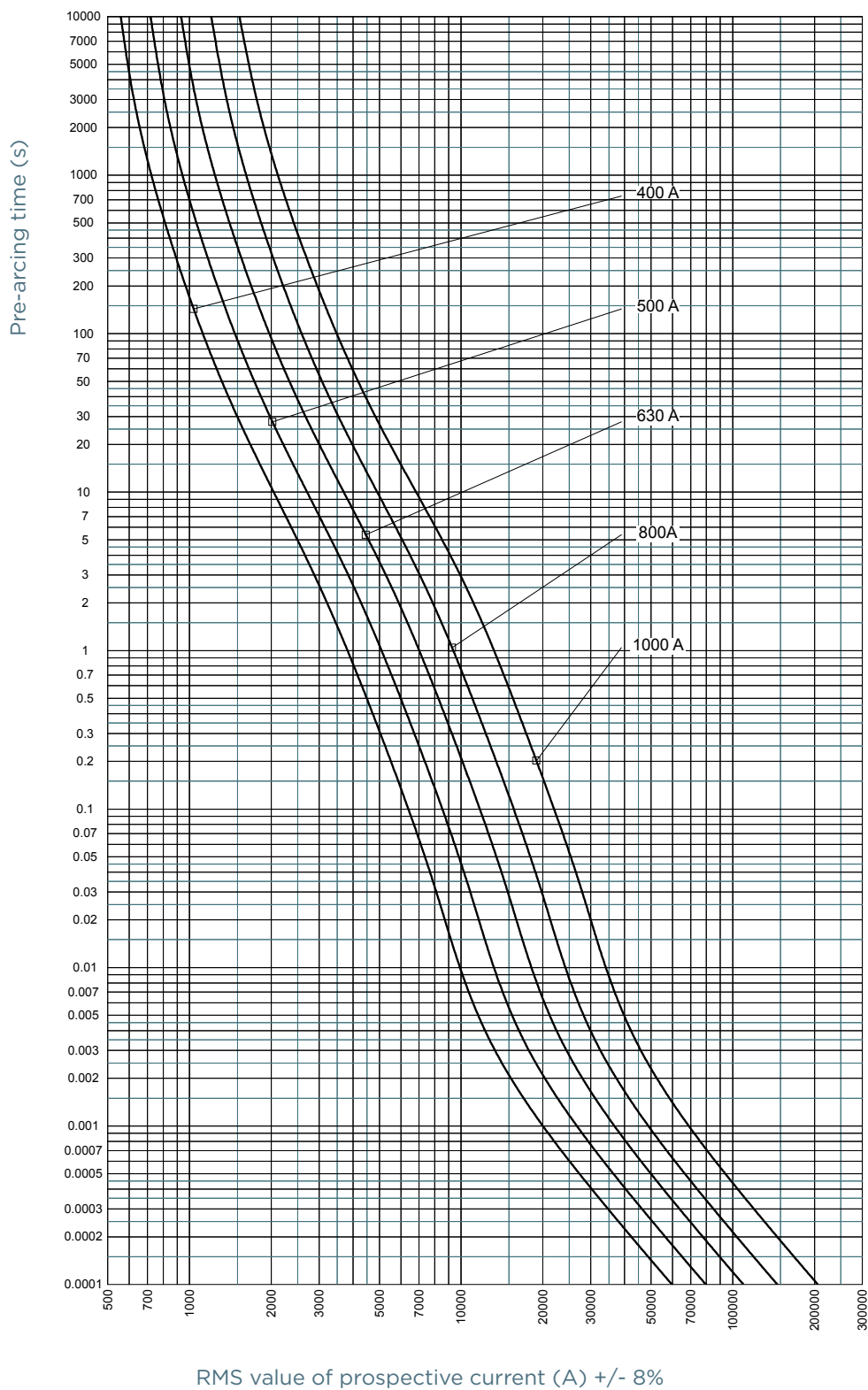
# NH fuse-links gG 690VAC

top indicator/live gripping-lugs size 4 and 4a

## ВРЕМЯ-ТОКОВАЯ ХАРАКТЕРИСТИКА

Size 4, 400-800A

Size 4a, 500-1000A



MERSEN reserves the right to change, update or correct, without notice, any information contained in this datasheet.

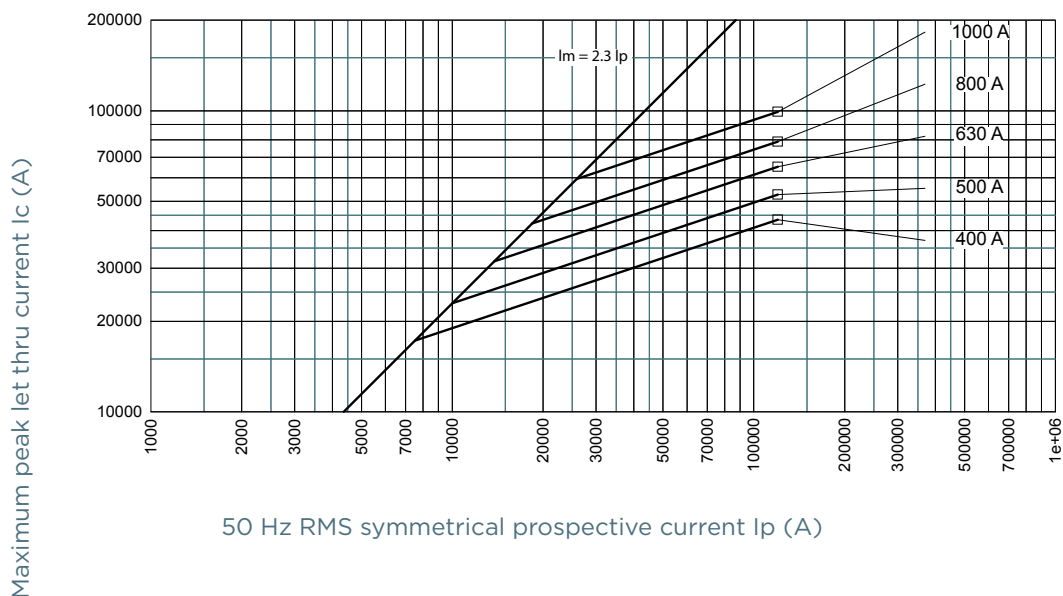
# NH fuse-links gG 690VAC

top indicator/live gripping-lugs size 4 and 4a

## ХАРАКТЕРИСТИКА ОТКЛЮЧЕНИЯ

Size 4, 400-800A

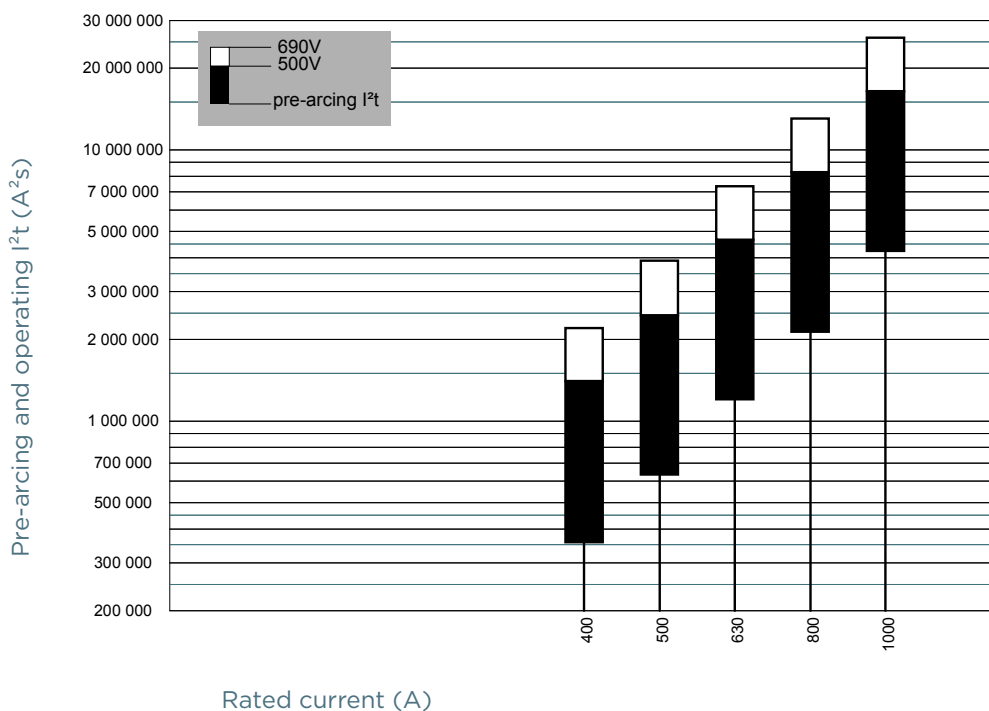
Size 4a, 500-1000A



## ПРЕДУГОВЫЕ И ТЕХНИЧЕСКИЕ ХАРАКТЕРИСТИКИ $I^2t$

Size 4, 400-800A

Size 4a, 500-1000A



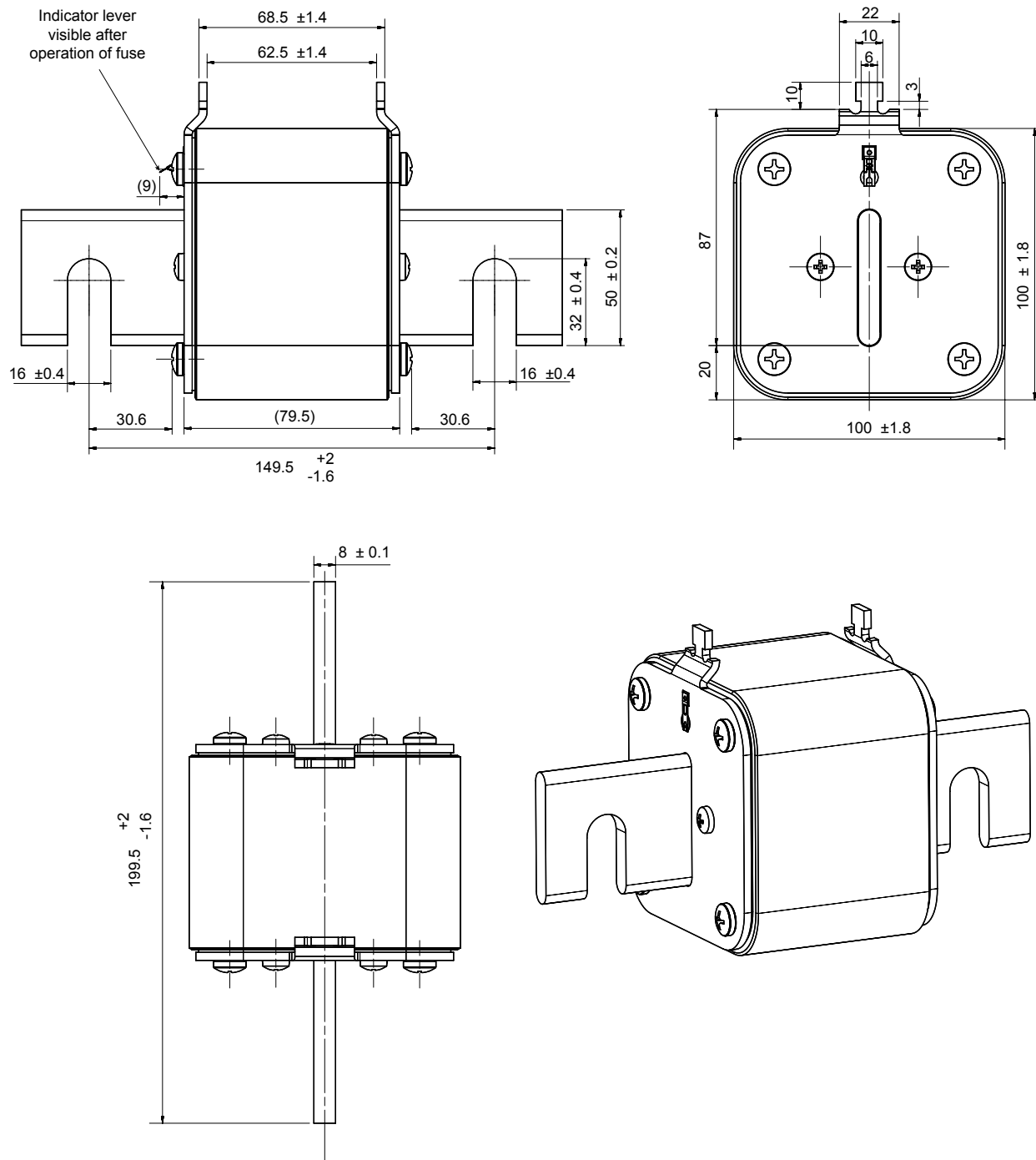
MERSEN reserves the right to change, update or correct, without notice, any information contained in this datasheet.

# NH fuse-links gG 690VAC

top indicator/live gripping-lugs size 4 and 4a

## ГАБАРИТНЫЕ РАЗМЕРЫ

### Size 4 with top indicator



Размеры в мм

MERSEN reserves the right to change, update or correct, without notice, any information contained in this datasheet.

